

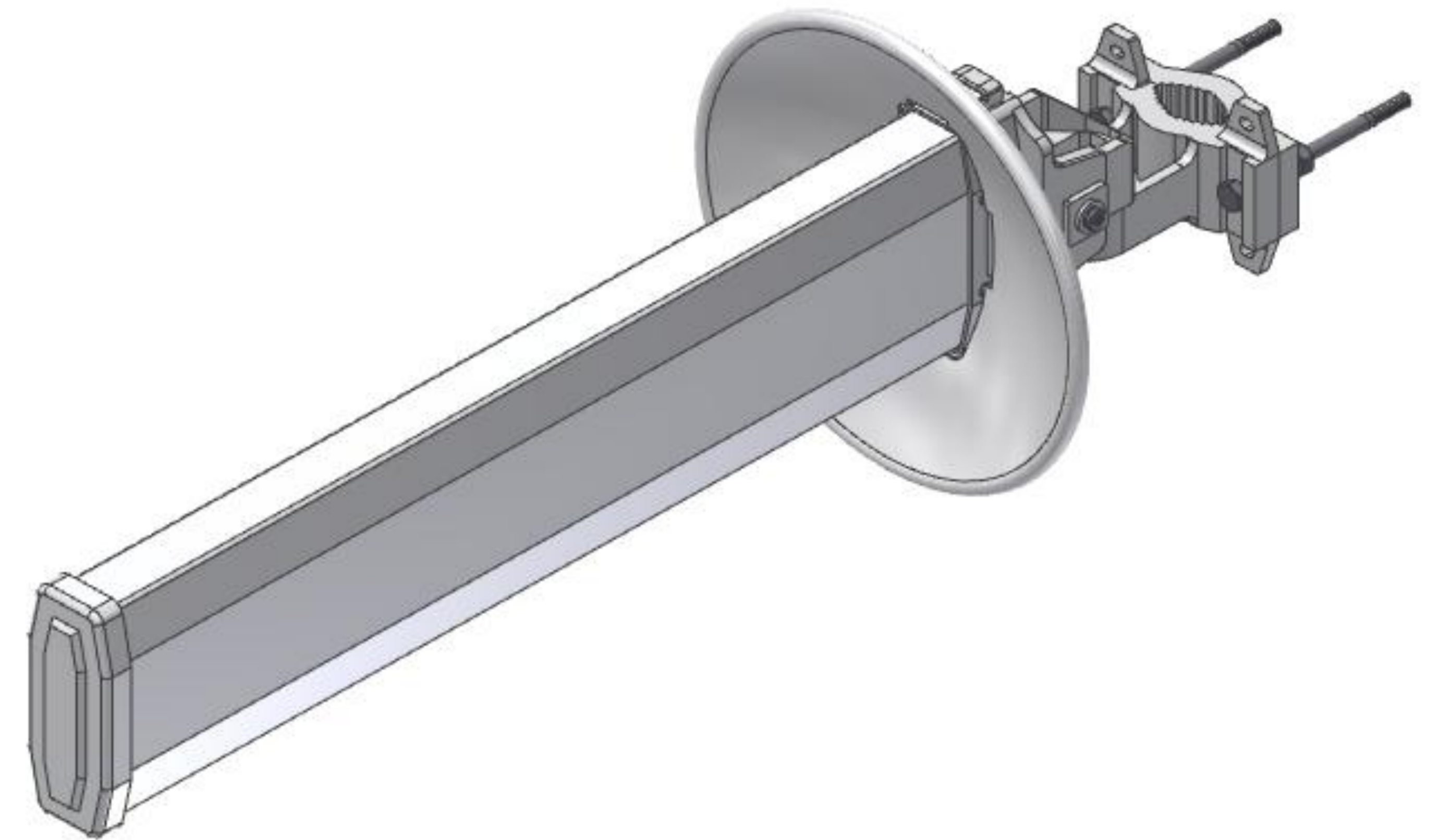
# PCS & IMT High Gain Yagi Antenna

1750 ~ 2170 MHz / 13 dBi

## PI-SEYG-12G

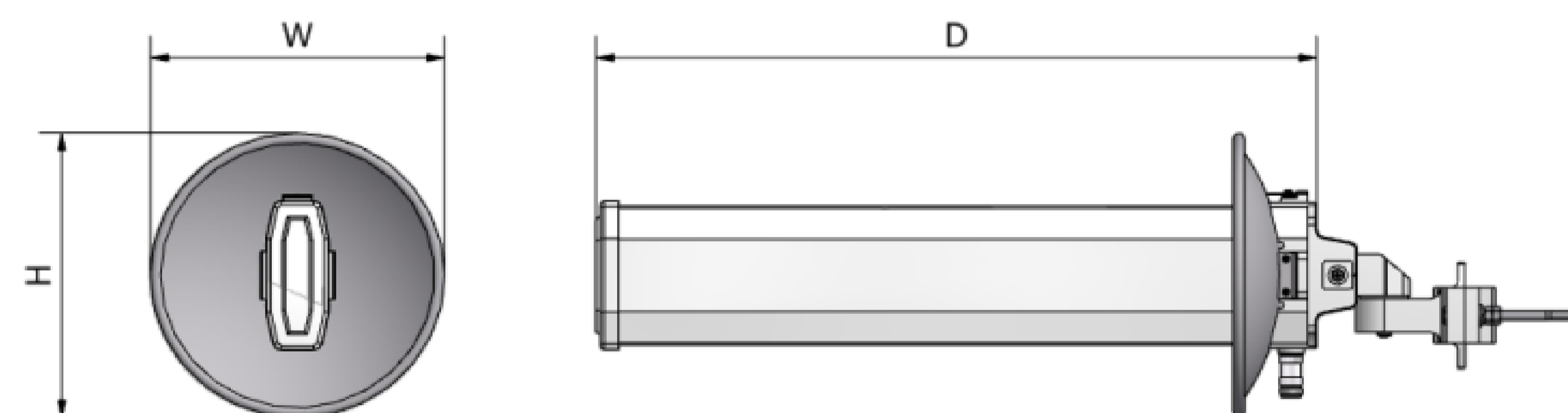
### i. Electrical Specification

Frequency Range	1750 ~ 2170 MHz	
Polarization	Vertical	
Band Width	420 MHz	
Gain	≥ 13 dBi	
Beam width	Horizontal	40 ± 6°
	Vertical	37 ± 5°
F-B ratio	≥ 25 dB @ 180°	
VSWR	1 : 1.5	
Impedance	50 Ω	
IMD (7th)	-150 dBc	
Sidelobe	10 dB	
Maximum input power	50 W	

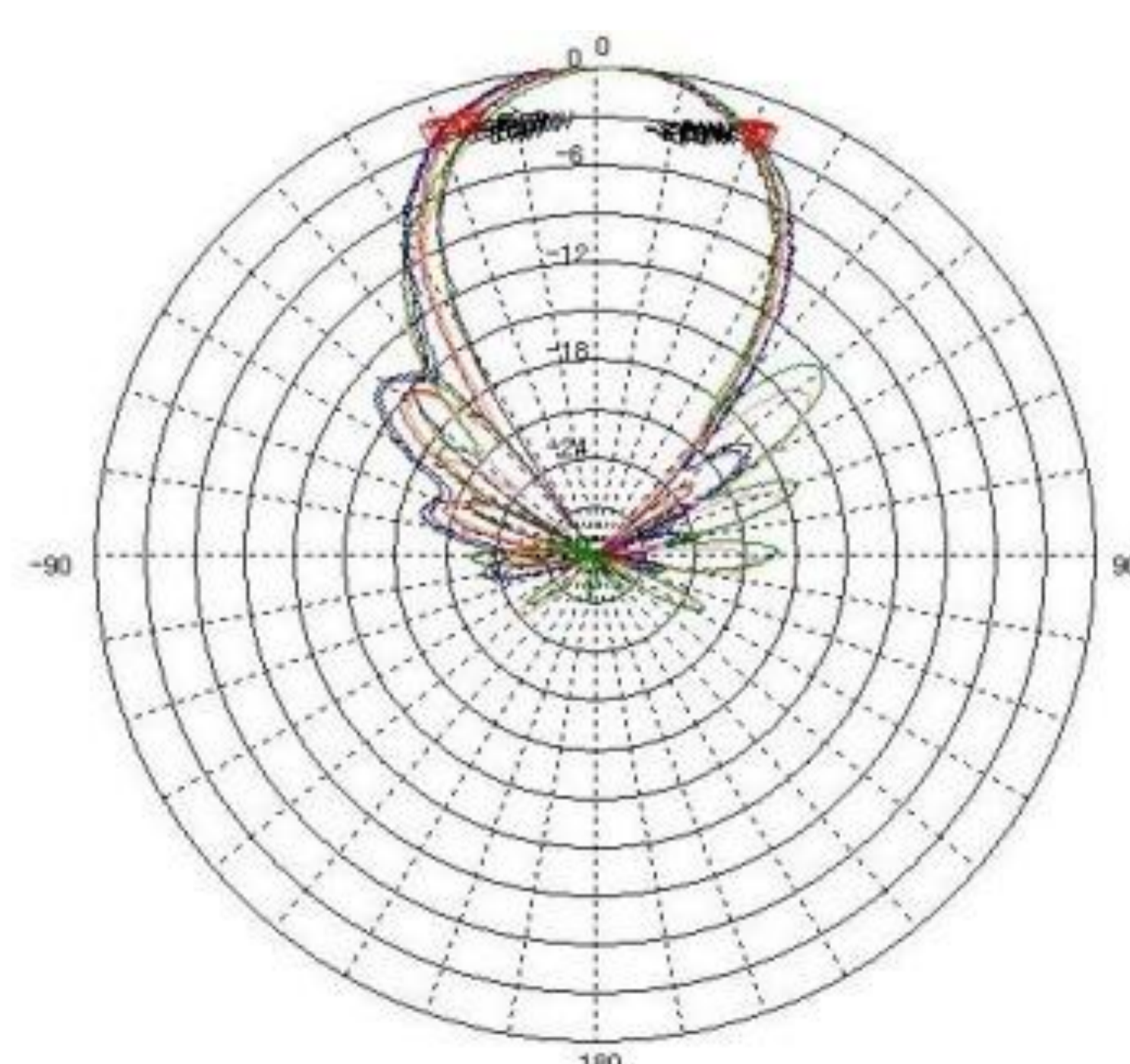


### ii. Mechanical Specification

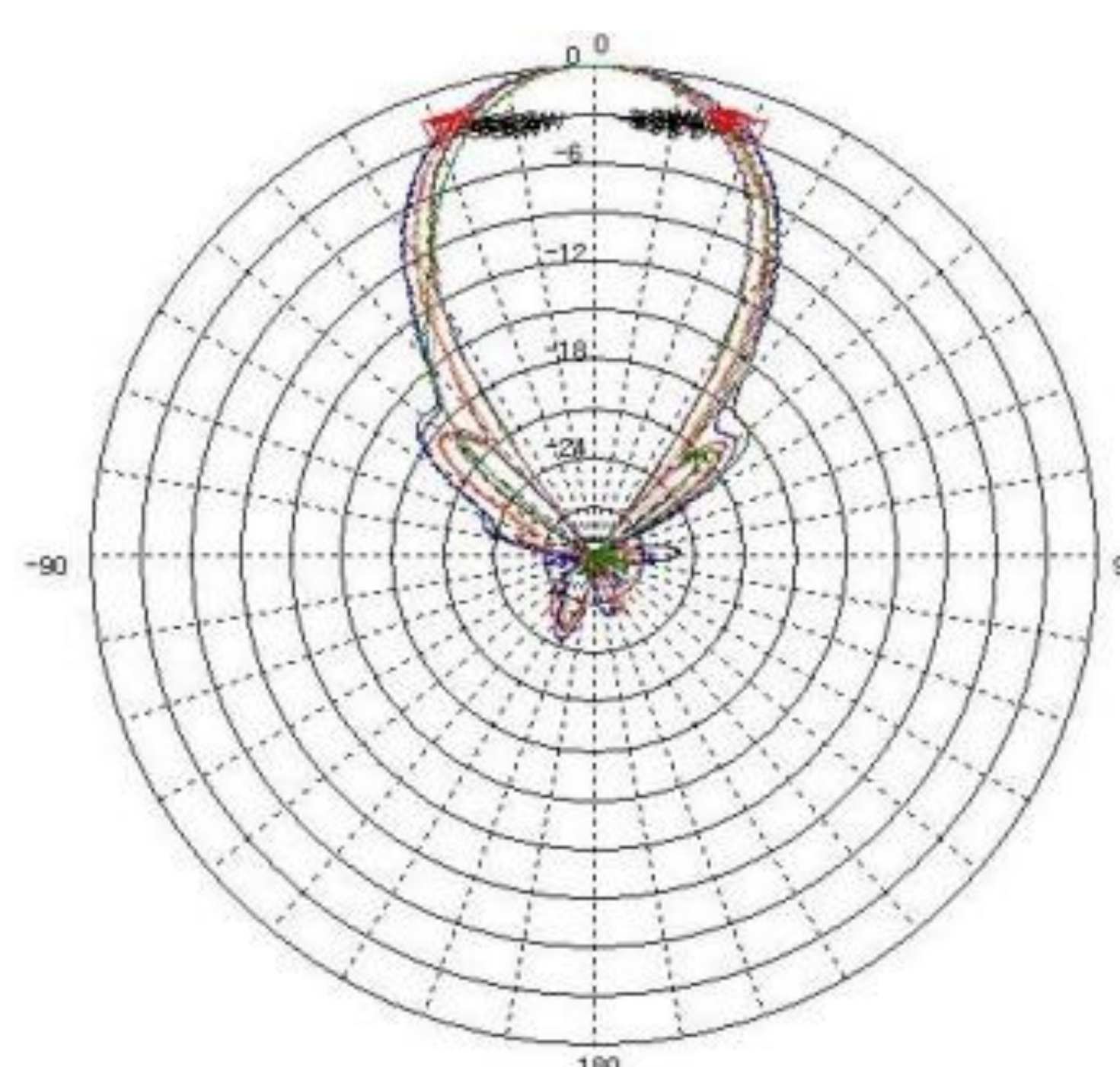
Radom Dimension ( H x W x D )	100 x 40 x 603 (mm)	
Weight ( Include bracket )	≤ 2 kg	
Connector Type	N-Female	
Withstand Wind Pressure	60 m/sec	
Radome Material	ASA	
Radome Color	Cool Gray 1C	
Mechanical Down Tilt	Up, Down ± 30°	
	Left, Right ± 30°	
Temperature	-40 °C ~ 70 °C	
Packing Size ( H x W x D )	-	
Packing Weight	-	



### iii. Radiation Pattern



Horizontal Pattern



Vertical Pattern